



2508 North Oak St.  
Urbana, IL 61802  
Tel: (217) 352-2722  
Fax: (217) 352-2822  
[www.netpcc.com](http://www.netpcc.com)

### 1 LITER HDPE OIL BOTTLE

---

- Material: HDPE
- Standard Gram Weight: 55
- Neck Finish: 28-415 Special
- Packaging: Bulk, layered, or re-shippers

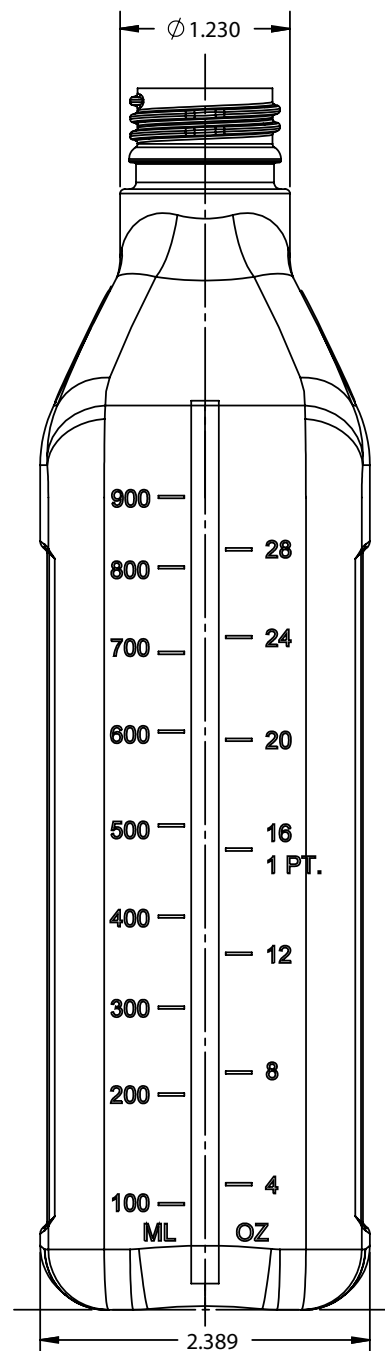
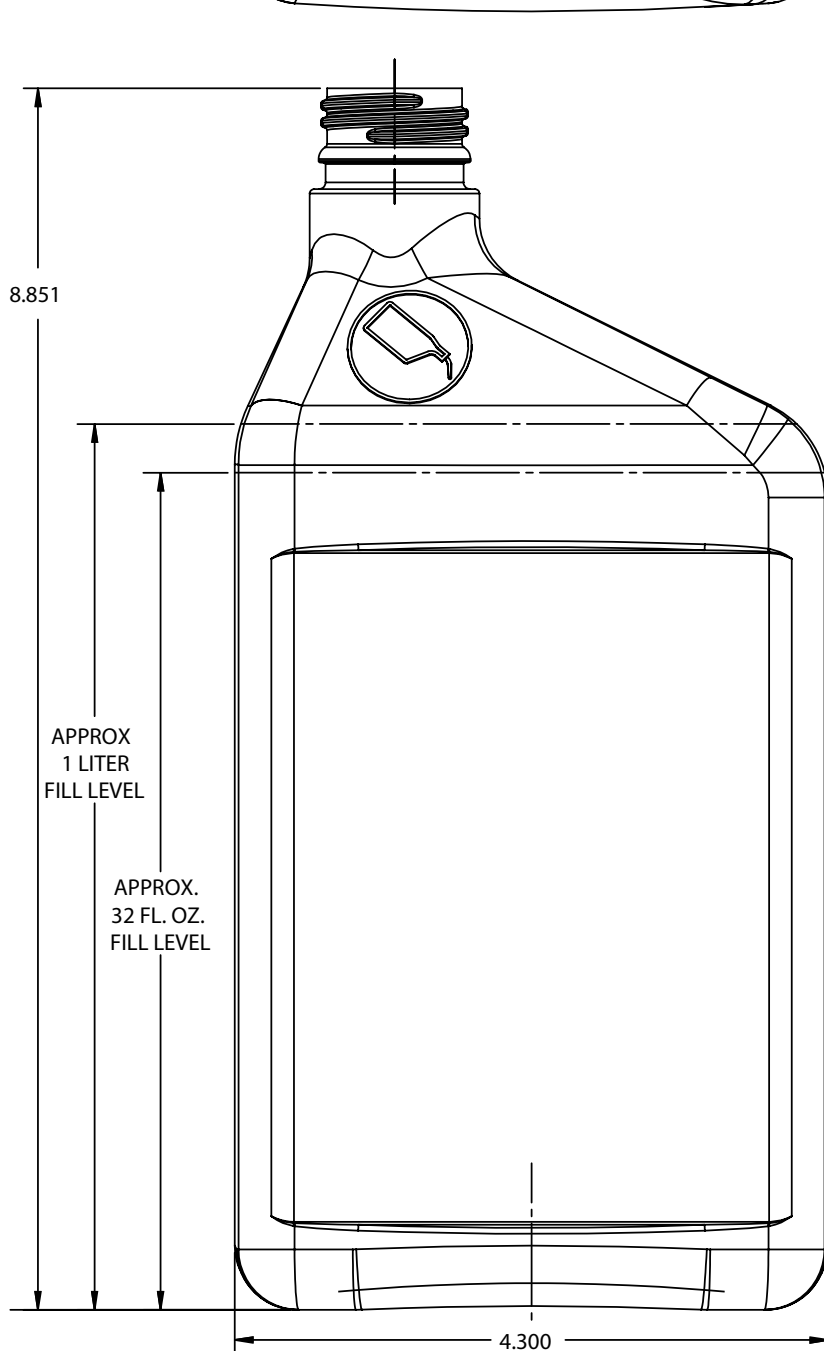
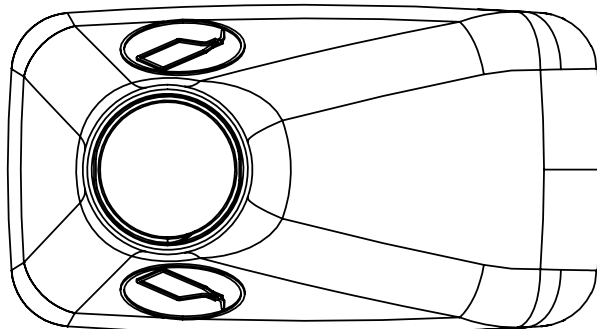




# 1 LITER HDPE OIL BOTTLE



**PLASTIC CONTAINER CORPORATION**  
2508 North Oak St.  
Urbana, IL 61802  
Tel: (217) 352-2722 • Fax: (217) 352-2822  
www.netpcc.com



© 2010 PLASTIC CONTAINER CORPORATION

